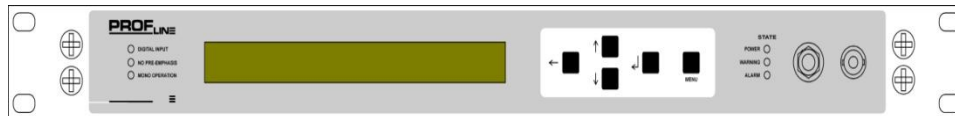


DMM

Digital Stereo Encoder



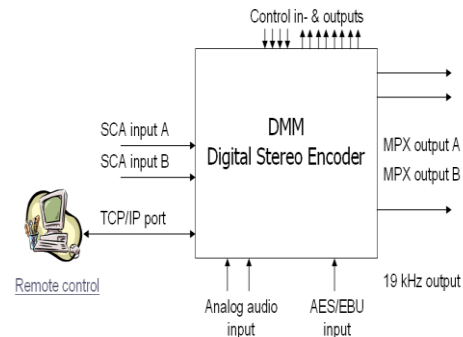
Features:

- 32 bit Digital Signal Processing technology
- Digital (AES/EBU) and analogue audio inputs with automatic switchover
- Two outputs for MPX
- MPX monitoring via front side BNC
- Output for 19 kHz Pilot
- Two inputs for SCA
- Programmable Deviation limiter 40 kHz – 150 kHz
- Integrated signal supervisor, alarming and logging functionality
- Advanced measurement of audio and MPX
- Front panel control and remote controllable over TCP/IP (HTTP & SNMP support)
- Compact 1U / 19 Inch housing

For over 25 years PROFLINE has been developing and providing a wide variety of broadcasting products for the professional broadcast market.

The PROFLINE DMM is based on the most sophisticated 32 bit Digital Signal Processing technologies offering uncompromised digital processing of both digital and analogue audio and SCA data.

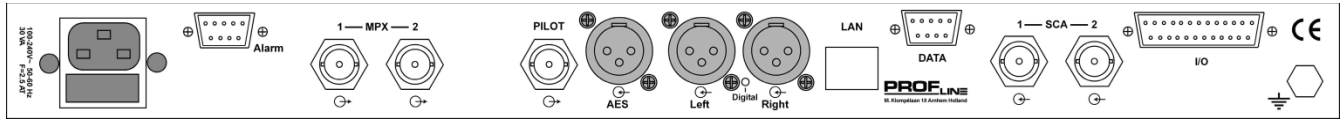
This unique design saves rack room and is a technically advanced solution for FM transmitter sites.



MPX limiter and power processing

The basic DMM will have an advanced MPX deviation limiter on board preventing over-deviation by external causes.

This unique design saves rack room and is an economical and technically attractive solution for FM transmitter sites.



Specifications

Digital input

Connector	: XLR female 110 ohm balanced
Digital input reference level	: -6 dBFS (RMS) = -6 dBFS
: (peak) *1:	referenced to 65, 67.5 or 75 kHz
Digital gain adjust	: -20 to +12 dB in steps of 0.1 dB

Analogue input

Analogue audio input	: XLR female 600 Ohm or : High-Z balanced
Audio frequency	: 30 Hz-15 kHz, ± 0,25 dB
Analogue input reference level	: 6 dBu, referenced to 40, 65, : 67.5 or 75 kHz
Analogue gain adjust	: -20 to +12 dB in steps of 0.1 dB

Digital Stereo Encoder

L/R separation	: > 60 dB (typical >72dB) : (30 Hz - 15 kHz)
Pre-emphases	: 0-50-75µs (CCIR Rec.450-1)
38 kHz suppression	: > 85 dB (CCIR Rec. 450-1)
Distortion	: > 74 dB (< 0.02%)
S/N	: > 80 dB(CCIR Rec.468-4 unw.)
Hum modulation	: > 80 dB
Audio deviation	: selectable 40 to 75 kHz
Pilot output	: 19 kHz, TTL level, BNC 75 ohm
Pilot deviation	: 1 to 15 kHz in 0,1 kHz steps*2
Pilot frequency accuracy	: +/- 0.5 Hz
Pilot phase	: -10 to +10° in steps of 0,01°

Subcarrier

Input level	: -12 dBu, BNC
Gain adjust	: -6 to +6 dB

MPX output

MPX peak protection	: 40 – 150 kHz in 0,1 kHz steps *2
MPX-output level	: -9 to +9 dBu in 0.1 dB steps
MPX output connector	: BNC, 75 Ohm

Data, alarm & ancillary ports

Alarm connection 3 relays	: Sub-D9 connector female
Data connector	: Sub-D9 connector female
Data connection	: RS 232 / 1K2 – 38K4 Baud
Inputs 4 optocoupled	: Sub-D25 connector female
Outputs 4 relays	: Sub-D25 connector female

IP port

Protocol	: TCP/IP
Port type	: Ethernet RJ45, 10/100 Mbps

General

Main power	: 100 to 240 VAC, 50/60 Hz Maximum 45 Watt
Power connection	: IEC panel-mount plug filter with fuse 2.5 AT
Safety and EMC	: in accordance with CE regulations
Operation and ambient temperature	: 5 to 45°C (storage -5 to 65°C)
Housing dimensions	: 19 inch x 1u x 300mm (depth)
Weight	: 5kg

PROFl ine:

Westerveldsestraat 50, 6842 BV Arnhem, The Netherlands

Tel: +31 (0) 26 323 69 69

Email: info@profl ine.com www.profl ine.com